

Spraying tunnel

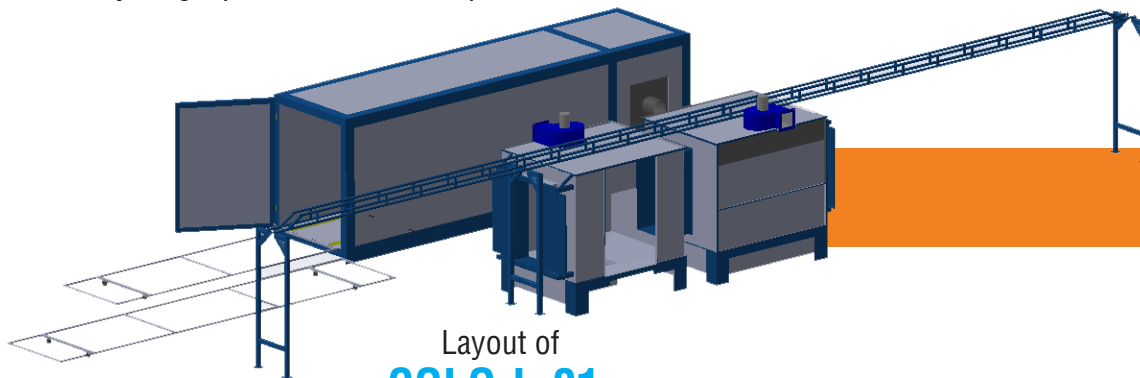
Before design a powder coating line for you please supply below information:

1. Product name ,material , If possible sent photos
2. The workpiece Max size(LxWxH), max weight, and output per 8hours. Or advise the line speed you need
3. What kind of heating energy for oven, such as electricity, diesel, or gas energy
4. How many kinds of powder colors
5. What's the size (Length x Width x Height)of your workshop?Supply workshop drawing
6. Advise industrial and living electricity voltage in your factory, single-phase220 v or three-phase 380/ 415 v

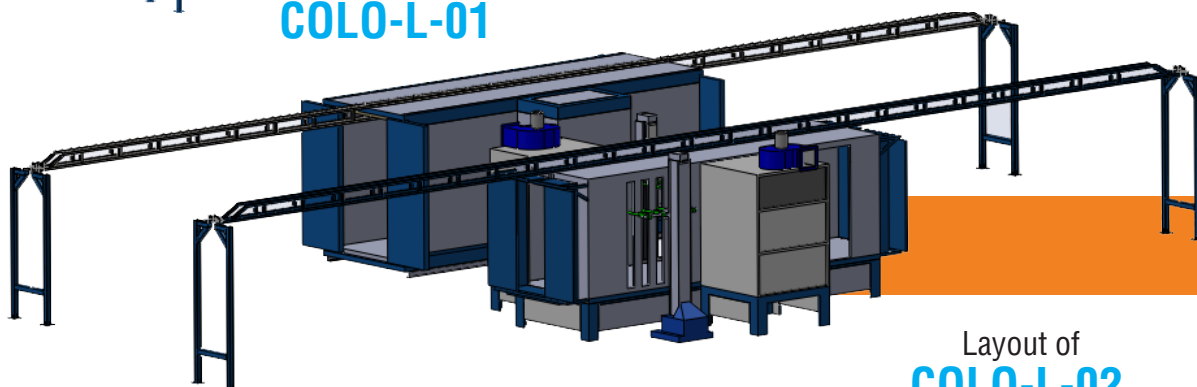


dip tank with Hoist

Layout Of Powder Coating Line For Your Special Request

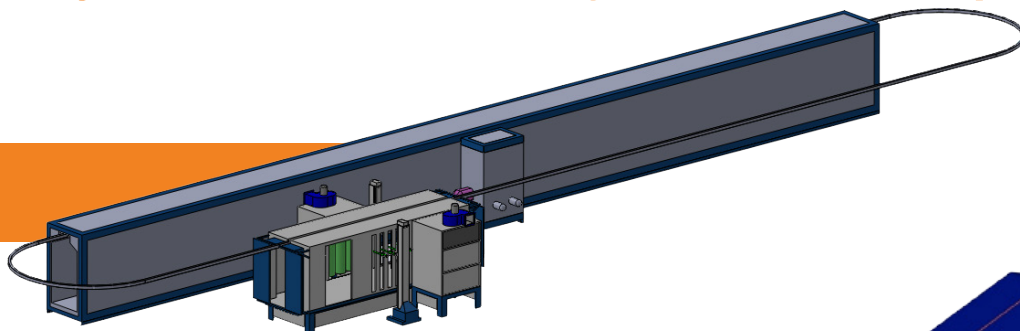


Layout of
COLO-L-01

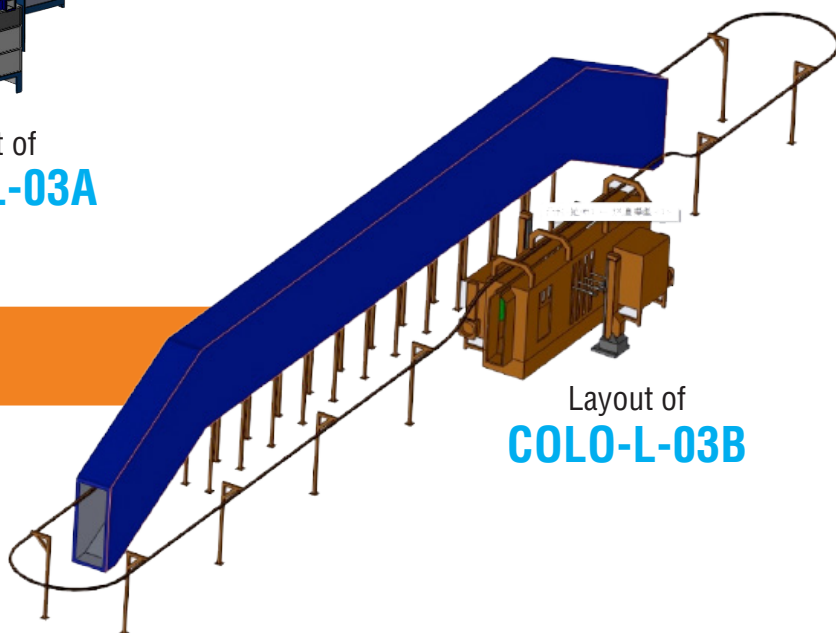


Layout of
COLO-L-02

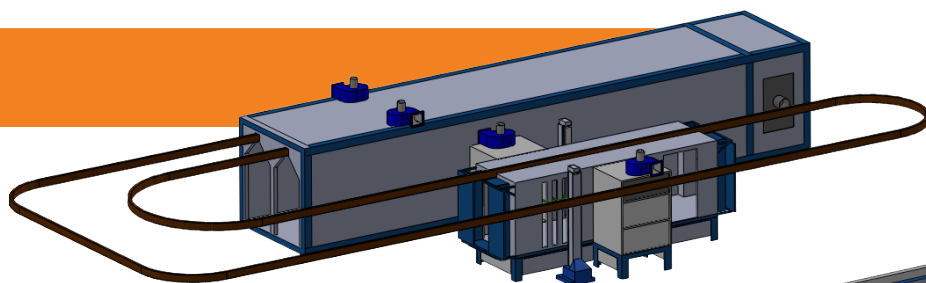
Layout Of Powder Coating Line For Your Special Request



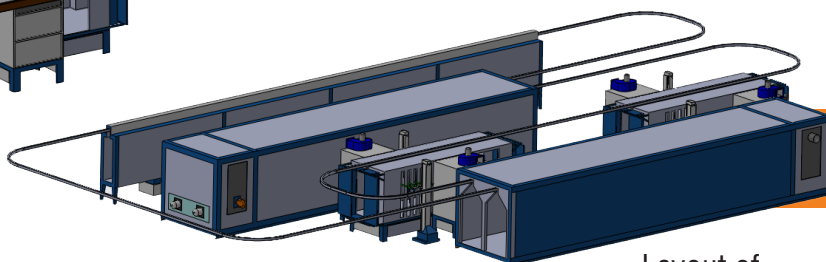
Layout of
COLO-L-03A



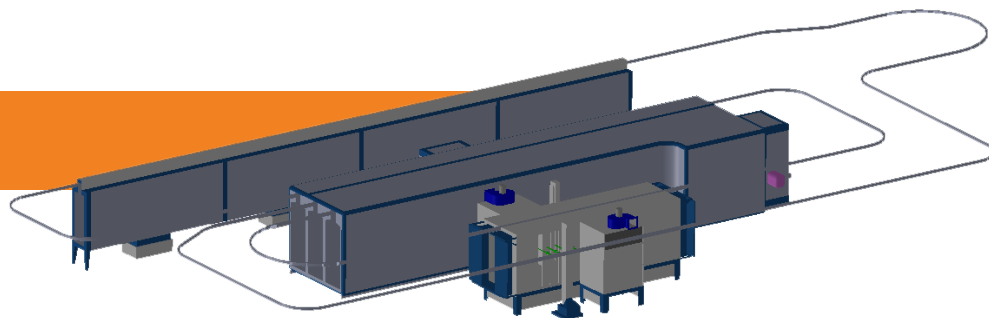
Layout of
COLO-L-03B



Layout of
COLO-L-04



Layout of
COLO-L-05



Layout of
COLO-L-06



Pre-treatment



Spray Booth



Conveyor System



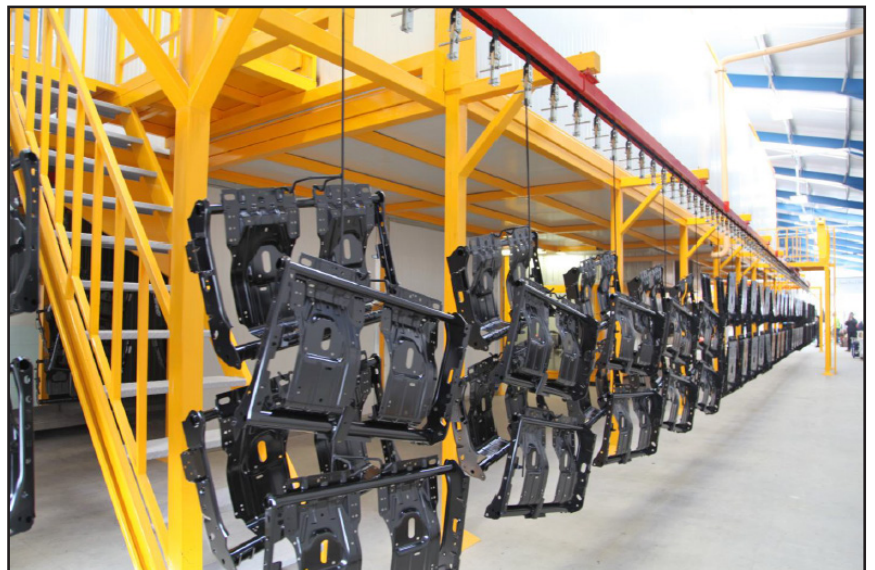
Dry Oven



Heating System



Recovery System



Auto Parts Powder Coating Line